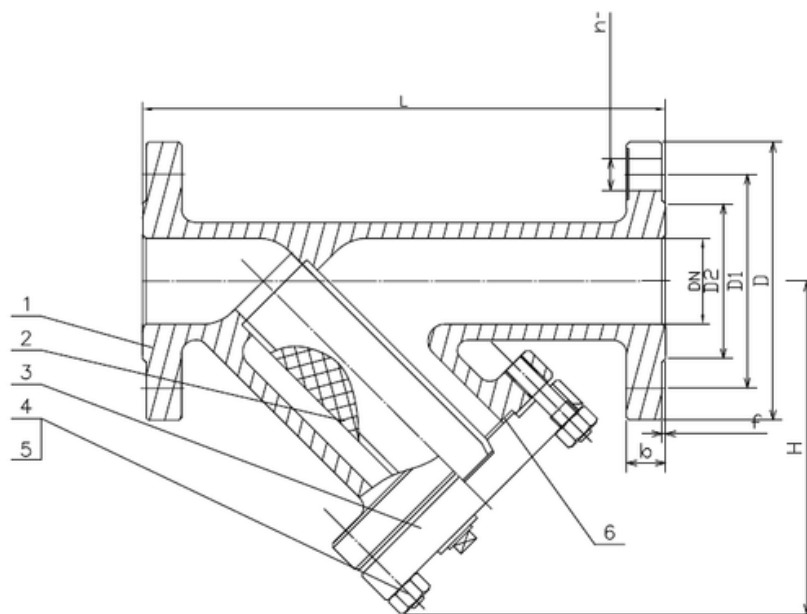


## TYPE: DSF0402

Schmutzfänger DN15 - DN600, PN40

Strainer DN15 - DN600, PN40



### Technical Specification:

1. Design and machining in accordance with EN1984
2. Inspection and test in accordance with EN12266-1
3. Face to Face dimension in accordance with EN558-1
4. Dimension of connection end accordance with EN1092-1

### **DRW Industrietechnik GmbH**

Bodenschwinger Str. 125

D-44357 Dortmund

Telefon: +49 2 31 - 92 71 44-0

info@drw-armaturen.de

[www.drw-armaturen.de](http://www.drw-armaturen.de)



## Abmessungen / Dimensions:

| DN  | L    | H    | D   | D1  | D2  | n-ø    | b  | f |
|-----|------|------|-----|-----|-----|--------|----|---|
| 15  | 130  | 90   | 95  | 65  | 45  | 4-ø14  | 16 | 2 |
| 20  | 150  | 90   | 105 | 75  | 58  | 4-ø14  | 18 | 2 |
| 25  | 160  | 115  | 115 | 85  | 68  | 4-ø14  | 18 | 2 |
| 32  | 180  | 130  | 140 | 100 | 78  | 4-ø18  | 18 | 2 |
| 40  | 200  | 155  | 150 | 110 | 78  | 4-ø18  | 18 | 2 |
| 50  | 230  | 175  | 165 | 125 | 102 | 4-ø18  | 20 | 2 |
| 65  | 290  | 190  | 185 | 145 | 122 | 8-ø18  | 22 | 2 |
| 80  | 310  | 210  | 200 | 160 | 138 | 8-ø18  | 24 | 2 |
| 100 | 350  | 220  | 235 | 190 | 162 | 8-ø22  | 24 | 2 |
| 125 | 400  | 280  | 270 | 220 | 188 | 8-ø26  | 26 | 2 |
| 150 | 480  | 335  | 300 | 250 | 218 | 8-ø26  | 28 | 2 |
| 200 | 600  | 410  | 375 | 320 | 285 | 12-ø30 | 34 | 2 |
| 250 | 730  | 520  | 450 | 385 | 345 | 12-ø33 | 38 | 2 |
| 300 | 850  | 595  | 515 | 450 | 410 | 16-ø33 | 42 | 2 |
| 350 | 980  | 670  | 580 | 510 | 465 | 16-ø36 | 46 | 2 |
| 400 | 1100 | 780  | 660 | 585 | 535 | 16-ø39 | 50 | 2 |
| 450 | 1200 | 820  | 685 | 610 | 560 | 20-ø39 | 57 | 2 |
| 500 | 1250 | 900  | 755 | 670 | 615 | 20-ø42 | 57 | 2 |
| 600 | 1450 | 1020 | 890 | 795 | 735 | 20-ø48 | 72 | 2 |

## Materialien / Materials:

| No. | Part Name  | Material        |
|-----|------------|-----------------|
| 1   | Body       | 1.0619          |
| 2   | Screen     | 1.4401          |
| 3   | Bonnet     | 1.0619          |
| 4   | Body bolt  | YK              |
| 5   | Bonnet Nut | YK              |
| 6   | Gasket     | Graphite+1.4301 |

### **DRW Industrietechnik GmbH**

Bodenschwinger Str. 125

D-44357 Dortmund

Telefon: +49 2 31 - 92 71 44-0

info@drw-armaturen.de

[www.drw-armaturen.de](http://www.drw-armaturen.de)

