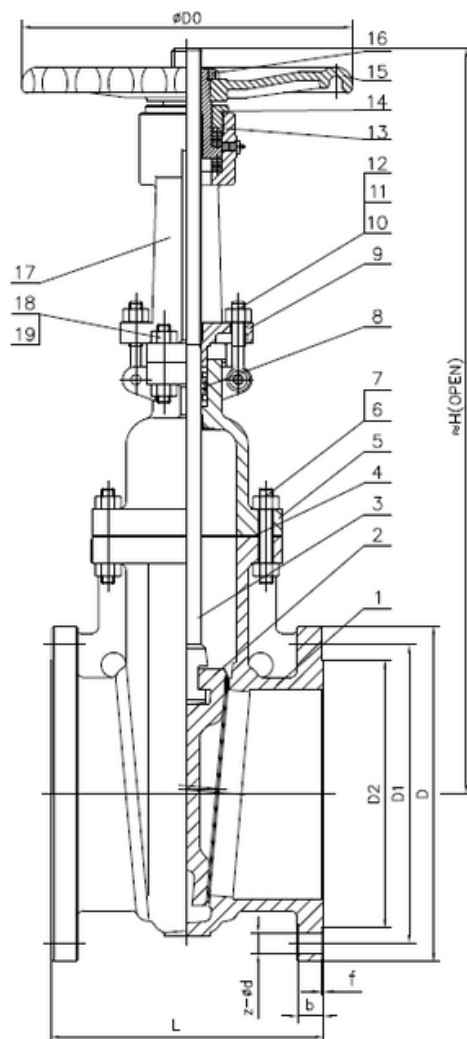


## TYPE: DFS0102

DIN Flachschieber F4, DN200 - DN300, PN10

DIN Gate Valve F4, DN200 - DN300, PN10



### Technical Specification:

1. Design and machining in accordance with EN1984
2. Inspection and test in accordance with EN12266-1
3. Face to Face dimension in accordance with EN558-1 Gr.14
4. Dimension of connection end accordance with EN1092-1

### **DRW Industrietechnik GmbH**

Bodenschwinger Str. 125

D-44357 Dortmund

Telefon: +49 2 31 - 92 71 44-0

info@drw-armaturen.de

[www.drw-armaturen.de](http://www.drw-armaturen.de)



## Abmessungen / Dimensions:

DN	L	H	DO	D	D1	D2	b	f	z-ød	QTY
200	230	880	350	340	295	268	24	3	8-ø22	
250	250	1014	400	395	350	320	26	3	12-ø22	
300	270	1190	450	445	400	370	26	4	12-ø22	

## Materialien / Materials:

No.	Part Name	Material
1	Body+Seat*	1.0619+STL
2	Wedge	1.0619+13Cr
3	Stem	1.4006
4	Gasket	1.4301+Graphite
5	Bonnet	1.0619
6	Bolt	YK
7	Nut	YK
8	Packing	Graphite
9	Gland Flange	1.0619
10	Pin	1.0501
11	Gland Eyebolt	YK
12	Gland Nut	YK
13	Stem Nut	D2
14	Retaining Nut	1.0501
15	Hand Wheel	GGG40
16	Nut	1.0501
17	Yoke	1.0619
18	Bolt	YK
19	Nut	YK

### **DRW Industrietechnik GmbH**

Bodenschwinger Str. 125

D-44357 Dortmund

Telefon: +49 2 31 - 92 71 44-0

info@drw-armaturen.de

[www.drw-armaturen.de](http://www.drw-armaturen.de)

