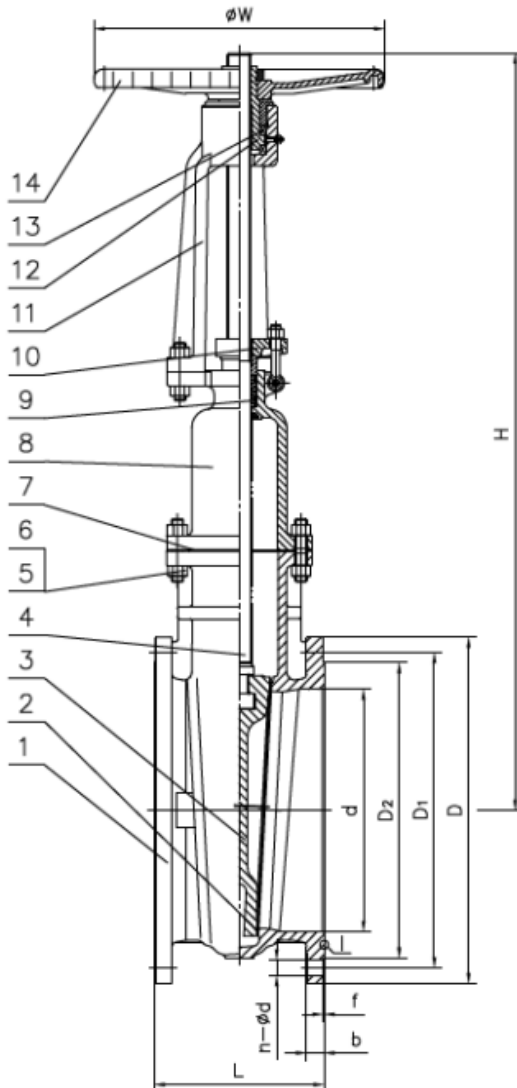


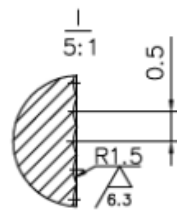
TYPE: DFS0102

DIN Flachschieber F4 DN200 PN10

DIN Gate Valve F4 DN200 PN10



Performance Specification			
Nominal Pressure		PN 10	
Test Pressure	Shell test (HYD.)	1.5	Mpa
	Back seal test (HYD.)	1.1	
	Seal test (HYD.)	1.1	
	Gas test (AIR.)	0.6	
Working Temperatur		-10 - 400 °C	



Technical Specification:

1. Design and machining acc. with EN1984
2. Inspection and test acc. EN12266
3. Face to Face acc. EN558-1 Gr.14
4. Dimension of connection end flange acc. EN1092-1

DRW Industrietechnik GmbH

Bodenschwinger Str. 125

D-44357 Dortmund

Telefon: +49 2 31 - 92 71 44-0

info@drw-armaturen.de

www.drw-armaturen.de



Abmessungen / Dimensions:

DN	d	D	D1	D2	b	f	n-ø	L	H	W
200	200	340	295	268	24	3	12-22	230	725	360

Materialien / Materials:

No.	Part Name	Material
1	Body	EN 10213 1.0619
2	Valve Seal	INT + 13 Cr
3	Flexible Wedge	EN 10213 1.0619 + 13 Cr
4	Stem	EN 10088-3 X20 Cr13
5	Bonnet Bolt	YK
6	Bonnet Nut	YK
7	Gasket	Graphite +SS
8	Bonnet	EN 10213 1.0619 + CR
9	Stem Packing	Flexible Graphite
10	Gland	EN 10213 1.0619
11	Stem Nut	Copper Alloy
12	Hand Wheel	EN 1563 EN GJS 400-18

DRW Industrietechnik GmbH

Bodenschwinger Str. 125

D-44357 Dortmund

Telefon: +49 2 31 - 92 71 44-0

info@drw-armaturen.de

www.drw-armaturen.de

