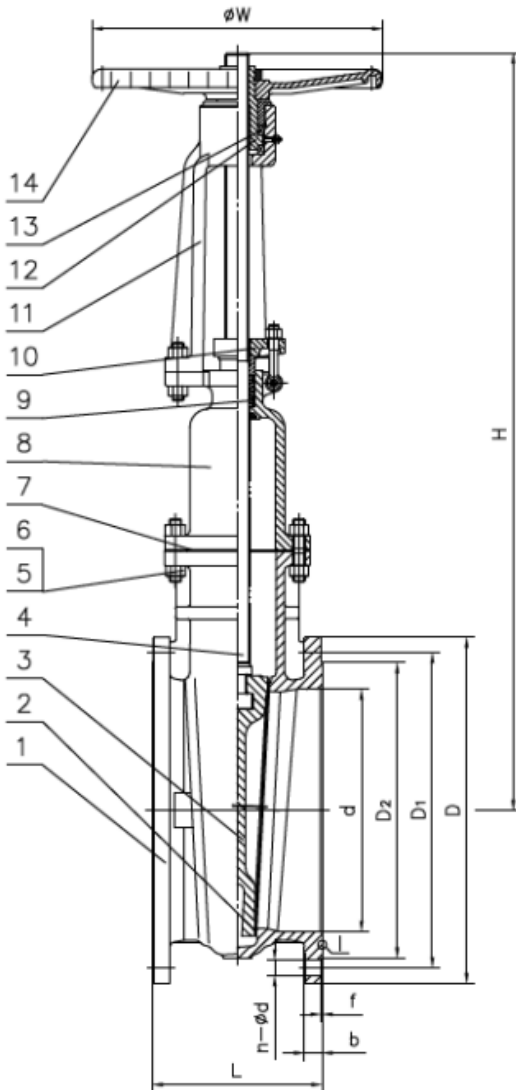


TYPE: DFS0102

DIN Flachschieber F4 DN250 PN10

DIN Gate Valve F4 DN250 PN10



Performance Specification			
Nominal Pressure		PN 10	
Test Pressure	Shell test (HYD.)	1.5	Mpa
	Back seal test (HYD.)	1.1	
	Seal test (HYD.)	1.1	
	Gas test (AIR.)	0.6	
Working Temperatur		-10 - 400 °C	

Technical Specification:

1. Design and machining acc. with EN1984
2. Inspection and test acc. EN12266
3. Face to Face acc. EN558-1 Gr.14
4. Dimension of connection end flange acc. EN1092-1

DRW Industrietechnik GmbH

Bodenschwinger Str. 125

D-44357 Dortmund

Telefon: +49 2 31 - 92 71 44-0

info@drw-armaturen.de

www.drw-armaturen.de



Abmessungen / Dimensions:

DN	d	D	D1	D2	b	f	n-ø	L	H	W
250	250	395	350	320	26	3	12-22	250	905	400

Materialien / Materials:

No.	Part Name	Material's
1	Body	1.0619
2	Valve Seal	INT + 13Cr
3	Flexible Wedge	1.0619 + 13Cr
4	Stem	X20Cr13
5	Bonnet Bolt	YK
6	Bonnet Nut	YK
7	Gasket	Graphite + SS
8	Bonnet	1.0619 + 13Cr
9	Stem Packing	Flexible Graphite
10	Gland Flange	1.0619
11	Yoke	1.0619
12	Stem Nut	Copper Alloy
13	Plane Bearing	DIN 17230 100Cr6
14	Handwheel	EN1563 EN GJS400-18

DRW Industrietechnik GmbH

Bodenschwinger Str. 125

D-44357 Dortmund

Telefon: +49 2 31 - 92 71 44-0

info@drw-armaturen.de

www.drw-armaturen.de

