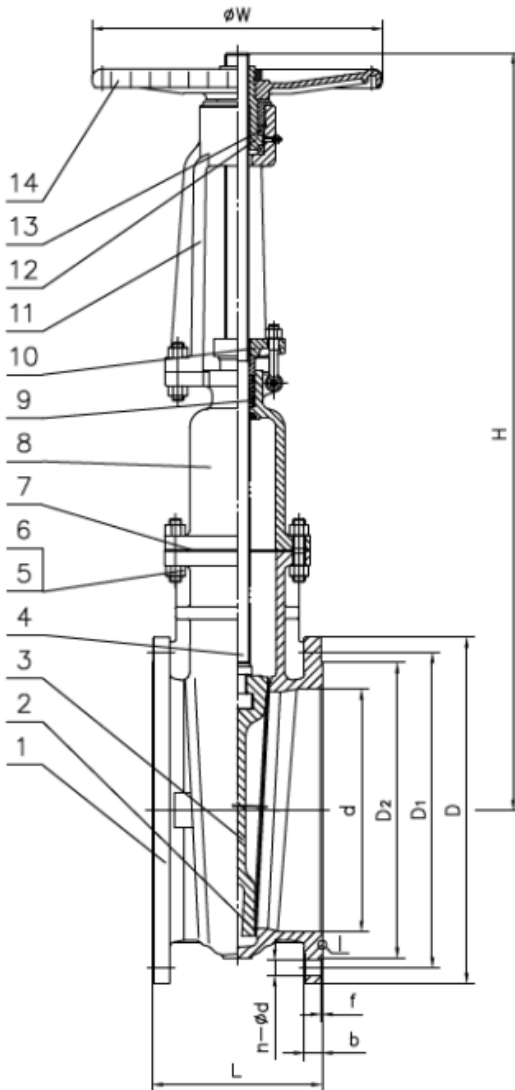
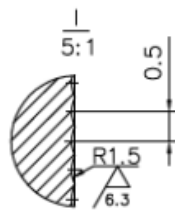


TYPE: DFS0102

DIN Flachschieber F4 DN300 PN10 DIN
Gate Valve F4 DN300 PN10



Performance Specification			
Nominal Pressure		PN 10	
Test Pressure	Shell test (HYD.)	1.5	Mpa
	Back seal test (HYD.)	1.1	
	Seal test (HYD.)	1.1	
	Gas test (AIR.)	0.6	
Working Temperatur		-10 - 400 °C	



Technical Specification:

1. Design and machining acc. with EN1984
2. Inspection and test acc. EN12266
3. Face to Face acc. EN558-1 Gr.14
4. Dimension of connection end flange acc. EN1092-1

DRW Industrietechnik GmbH

Bodenschwinger Str. 125
D-44357 Dortmund
Telefon: +49 2 31 - 92 71 44-0
info@drw-armaturen.de
www.drw-armaturen.de



Abmessungen / Dimensions:

DN	d	D	D1	D2	b	f	n-ø	L	H	W
300	300	445	400	370	26	4	12-22	270	1015	450

Materialien / Materials:

No.	Part Name	Material
1	Body	EN 10213 1.0619
2	Valve Seal	INT + 13 Cr
3	Flexible Wedge	EN 10213 1.0619 + 13 Cr
4	Stem	EN 10088-3 X20 Cr13
5	Bonnet Bolt	YK
6	Bonnet Nut	YK
7	Gasket	Flexible Graphite
8	Bonnet	EN 10213 1.0619 + CR
9	Stem Packing	Flexible Graphite
10	Gland	EN 10213 1.0619
11	Yoke	EN 10213 1.0619
12	Stem Nut	Copper Alloy
13	Plane Bearing	DIN 17230 100 CR6
14	Hand Wheel	EN 1563 EN GJS 400-18

DRW Industrietechnik GmbH

Bodenschwinger Str. 125

D-44357 Dortmund

Telefon: +49 2 31 - 92 71 44-0

info@drw-armaturen.de

www.drw-armaturen.de

