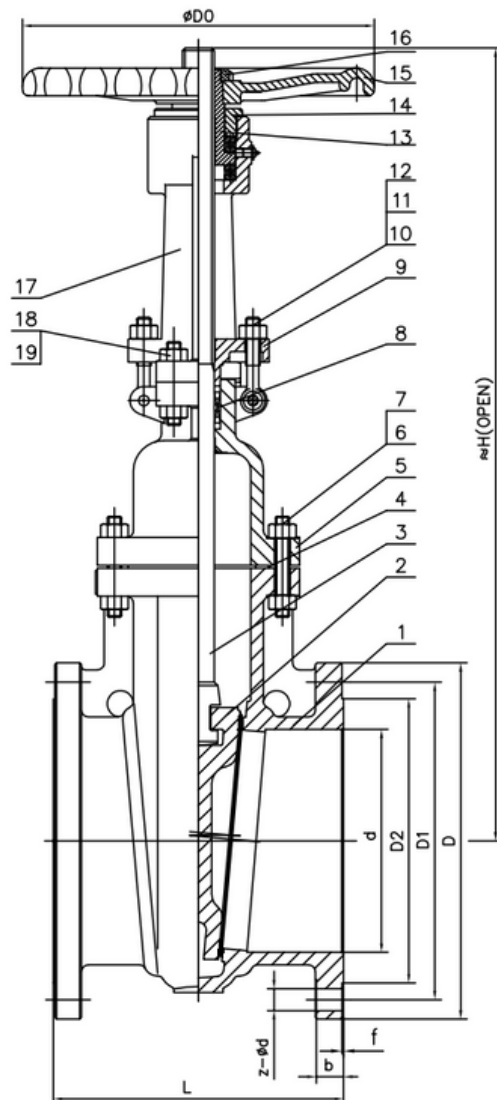


## TYPE: DFS0109

DIN Flachschieber DN250-300 PN10

DIN Gate Valve DN250 -300 PN10



### Technical Specification:

1. Design and machining acc. with EN1984
2. Inspection and test acc. EN12266-1
3. Face to Face acc. EN558-1 Gr.14
4. Dimension of connection end flange acc. EN1092-1

### **DRW Industrietechnik GmbH**

Bodenschwinger Str. 125

D-44357 Dortmund

Telefon: +49 2 31 - 92 71 44-0

info@drw-armaturen.de

[www.drw-armaturen.de](http://www.drw-armaturen.de)



## Abmessungen / Dimensions:

DN	d	L	H	D0	D	D1	D2	b	f	z-ød
<b>250</b>	250	250	1015	400	395	350	320	26	3	12-22
<b>300</b>	300	270	1350	450	445	400	370	26	4	12-22
<b>350</b>	337	290	1420	500	505	460	430	26	4	16-22

## Materialien / Materials:

No.	Part Name	Material
<b>1</b>	Body	1.4408 + STL
<b>2</b>	Wedge	1.4408 + STL
<b>3</b>	Stem	1.4401
<b>4</b>	Gasket	SS316 + Graphite
<b>5</b>	Bonnet	1.4408
<b>6</b>	Bolt	A4
<b>7</b>	Nut	A4
<b>8</b>	Packing	Graphite
<b>9</b>	Gland Flange	1.4408
<b>10</b>	Pin	1.4401
<b>11</b>	Gland eyebolt	A4
<b>12</b>	Gland nut	A4
<b>13</b>	Stem nut	Copper Alloy
<b>14</b>	Retaining nut	1.051
<b>15</b>	Handwheel	ASTM A536 60-40-18
<b>16</b>	Nut	1.0501
<b>17</b>	Yokr	1.4408
<b>18</b>	Bolt	A4
<b>19</b>	Nut	A4

### **DRW Industrietechnik GmbH**

Bodenschwinger Str. 125

D-44357 Dortmund

Telefon: +49 2 31 - 92 71 44-0

info@drw-armaturen.de

[www.drw-armaturen.de](http://www.drw-armaturen.de)

