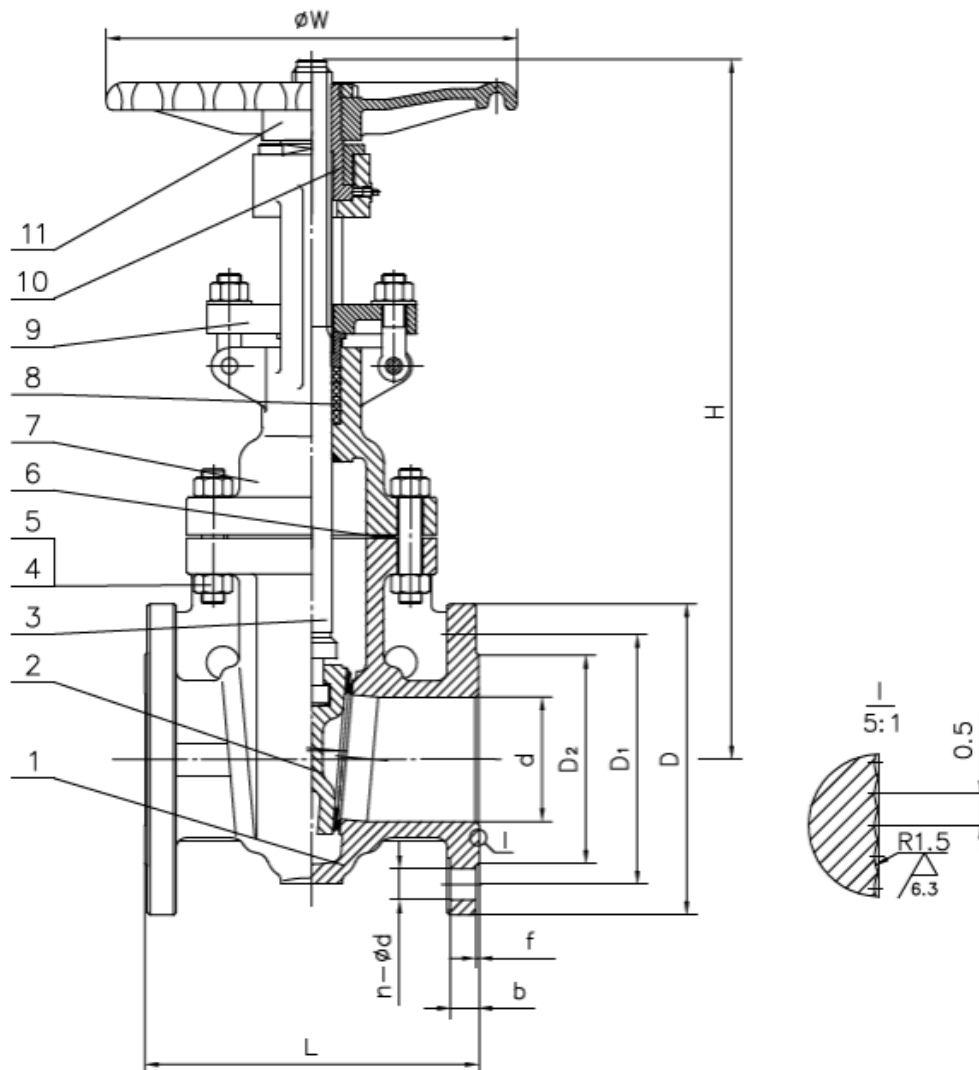


TYPE: DFS0202

DIN Flachschieber F4 DN50 - DN150 PN16

DIN Gate Valve F4 DN50 - DN150 PN16



Technical Specification:

1. Design and machining acc. with EN1984
2. Inspection and test acc. EN12266
3. Face to Face acc. EN558-1 Gr.14
4. Dimension of connection end flange acc. EN1092-1

DRW Industrietechnik GmbH

Bodenschwinger Str. 125

D-44357 Dortmund

Telefon: +49 2 31 - 92 71 44-0

info@drw-armaturen.de

www.drw-armaturen.de



Abmessungen / Dimensions:

DN	d	D	D1	D2	b	f	n-ød	L	H	øW
50	50	165	125	102	20	3	4-ø18	150	310	200
80	78	200	160	138	20	3	8-ø18	180	375	250
100	100	220	180	158	20	3	8-ø18	190	450	280
125	125	250	210	188	22	3	8-ø18	200	530	280
150	150	285	240	212	22	3	8-ø22	210	570	300

Materialien / Materials:

No.	Part Name	Material's
1	Body	1.0619 + 13Cr
2	Flexible Wedge	1.0619 + 13Cr
3	Stem	1.4006
4	Bonnet Bolt	YK
5	Bonnet Nut	YK
6	Gasket	SS304+Graphite
7	Bonnet	1.0619
8	Stem Packing	Graphite
9	Gland Flange	1.0619
10	Stem Nut	GGG40
11	Handwheel	EN1563 EN GJS 400-18

DRW Industrietechnik GmbH

Bodenschwinger Str. 125

D-44357 Dortmund

Telefon: +49 2 31 - 92 71 44-0

info@drw-armaturen.de

www.drw-armaturen.de

