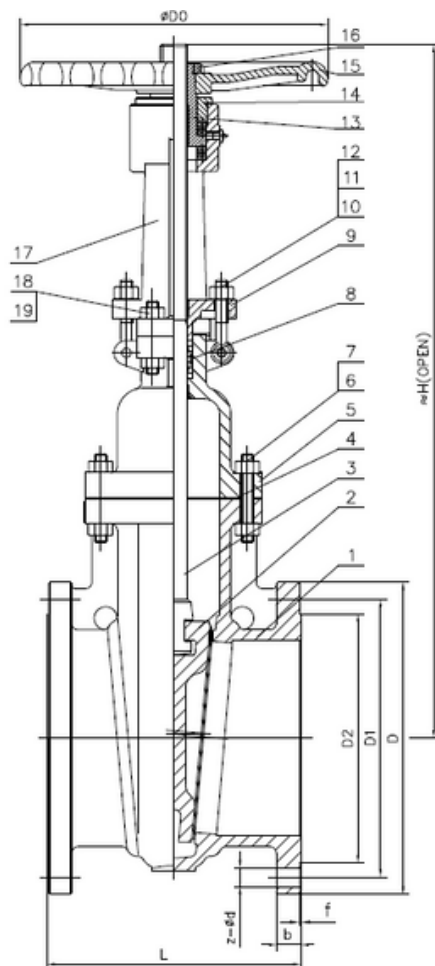


TYPE: DFS0209

DIN Flachschieber F4, DN200 - DN300, PN16

DIN Gate Valve F4, DN200 - DN300, PN16



Technical Specification:

1. Design and machining in accordance with EN1984
2. Inspection and test in accordance with EN12266-1
3. Face to Face dimension in accordance with EN558-1 Gr.14
4. Dimension of connection end accordance with EN1092-1

DRW Industrietechnik GmbH

Bodenschwinger Str. 125

D-44357 Dortmund

Telefon: +49 2 31 - 92 71 44-0

info@drw-armaturen.de

www.drw-armaturen.de



Abmessungen / Dimensions:

DN	L	H	DO	D	D1	D2	b	f	z-ød	QTY
200	230	880	350	340	295	268	24	3	12-ø22	
250	250	1150	400	405	355	320	26	3	12-ø26	
300	270	1380	450	460	410	378	28	4	12-ø26	

Materialien / Materials:

No.	Part Name	Material
1	Body+Seat*	1.4408+STL
2	Wedge	1.4408
3	Stem	1.4401
4	Gasket	1.4401+Graphite
5	Bonnet	1.4408
6	Bolt	A4
7	Nut	A4
8	Packing	Graphite
9	Gland Flange	1.4408
10	Pin	1.4006
11	Gland Eyebolt	A4
12	Gland Nut	A4
13	Stem Nut	D2
14	Retaining Nut	1.4006
15	Hand Wheel	GGG40
16	Nut	1.4006
17	Yoke	1.0619
18	Bolt	A4
19	Nut	A4

DRW Industrietechnik GmbH

Bodenschwinger Str. 125

D-44357 Dortmund

Telefon: +49 2 31 - 92 71 44-0

info@drw-armaturen.de

www.drw-armaturen.de

