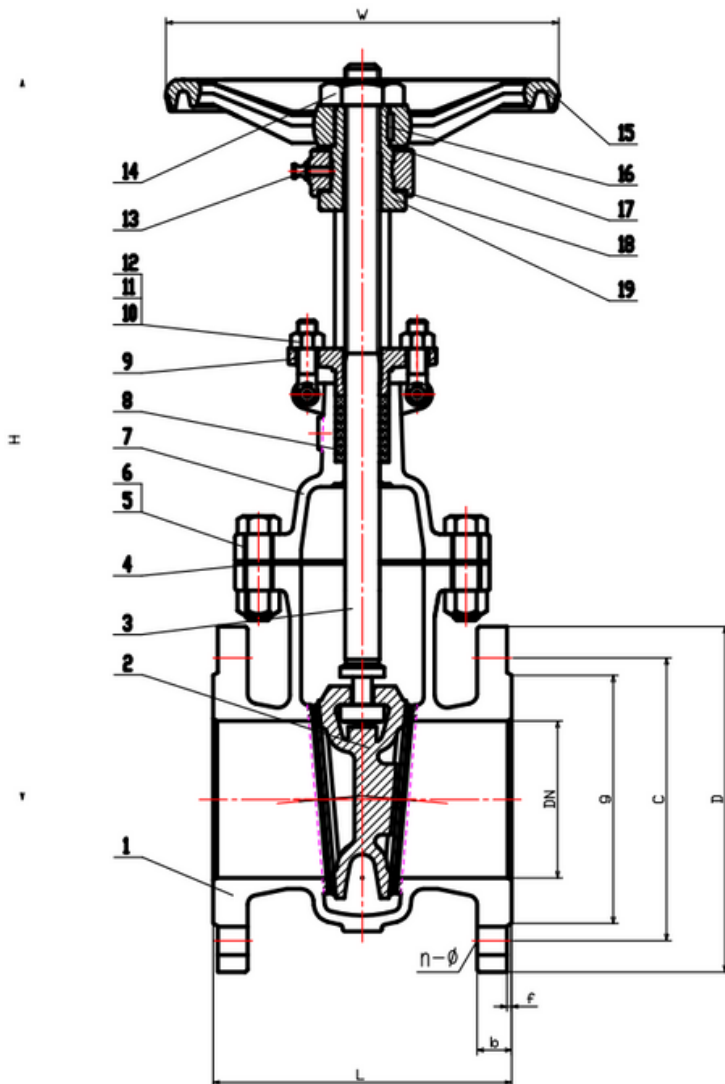


## TYPE: DFS0237

DIN Flachschieber DN50-300 PN16

DIN Gate Valve DN50 -300 PN16



### Technical Specification:

1. Design and machining acc. with EN1984
2. Inspection and test acc. EN12266-1
3. Face to Face acc. EN558-1 Gr.14
4. Dimension of connection end flange acc. EN1092-1

### **DRW Industrietechnik GmbH**

Bodenschwinger Str. 125

D-44357 Dortmund

Telefon: +49 2 31 - 92 71 44-0

info@drw-armaturen.de

[www.drw-armaturen.de](http://www.drw-armaturen.de)



## Abmessungen / Dimensions:

DN	L	g	C	D	b	n-ø	F	W
50	150	102	125	165	20	4-18	3	200
65	170	122	145	185	18	4-18	3	225
80	180	138	160	200	20	8-18	3	225
100	190	158	180	220	20	8-18	3	250
125	200	188	210	250	22	8-18	3	360
150	210	212	240	285	22	8-22	3	400
200	230	268	295	340	24	12-22	3	400
250	250	320	355	405	26	12-26	3	450
300	270	378	410	460	28	12-26	4	500

## Materialien / Materials:

No.	Part Name	Material
1	Body	CF8M
2	Wedge Disc	CF8M
3	Stem	F316
4	Gasket	SS316 + Graphite
5	Studbolt	B8
6	Nut	8
7	Bonnet	CF8M
8	Gland Packing	Graphite
9	Gland	CF8M
10	Studbolt	B8
11	Nut	8
12	Pin	SS316
13	Grease Nipple	SS
14	Lock Nut	GGG
15	Handwheel	13CR
16	Key	13CR
17	Gasket	13CR
18	Gasket	13CR
19	Yoke Sleeve	GGG

### **DRW Industrietechnik GmbH**

Bodenschwinger Str. 125

D-44357 Dortmund

Telefon: +49 2 31 - 92 71 44-0

info@drw-armaturen.de

[www.drw-armaturen.de](http://www.drw-armaturen.de)

