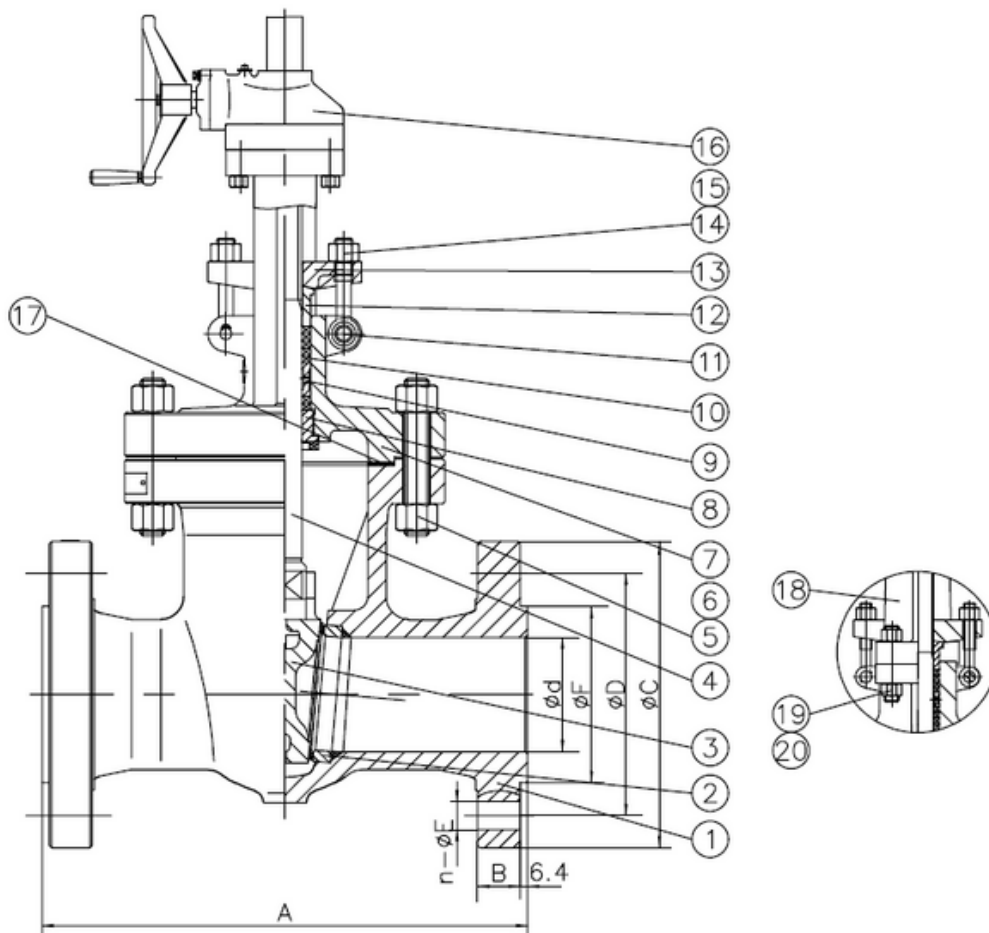


TYPE: AAS1729

ANSI Absperrschieber 14" – 24" Class600

ANSI Gate Valve 14" – 24" Class600



Technical Specification:

1. Design and machining acc. API600
2. Inspection and test acc. API598
3. Face to Face acc. B16.10
4. Dimension of connection end flange acc. B16.5 (RF)

DRW Industrietechnik GmbH

Bodenschwinger Str. 125

D-44357 Dortmund

Telefon: +49 2 31 - 92 71 44-0

info@drw-armaturen.de

www.drw-armaturen.de



Abmessungen / Dimensions:

SIZE	d	A	B	C	D	n	E	F
14"	326.9	889	70	605	527	20	38	413
16"	374.7	991	77	685	603	20	41	470
18"	419.1	1092	83	745	654	20	44	584
20"	463.6	1194	89	815	724	24	44	584
24"	558.8	1397	102	940	838	24	51	692

Materialien / Materials:

No.	Part Name	Material
1	Body	ASTM A352-LCB
2	Seat Ring	ASTM A350-LF2+STL
3	Gate	ASTM A352-LCB+CR13
4	Stem	ASTM A182-F6a
5	Body/Bonnet Bolts	ASTM A320-L7
6	Body/Bonnet Nuts	ASTM A194-7
7	Bonnet	ASTM A352-LCB
8	Backseat Bushing	ASTM A276-410
9	Lantern Ring	ASTM A276-410
10	Packing	Graphite
11	Pin	ASTM A29-1035
12	Packing Gland	ASTM A276-410
13	Gland Flange	ASTM A352-LCB
14	Packing Bolts	ASTM A320-L7
15	Packing Nuts	ASTM A194-7
16	Bevel Gear	Parts
17	Bonnet Gasket	SS304+Graphite
18	Yoke	ASTM A352-LCB
19	Bonnet/Yoke Bolts	ASTM A320-L7
20	Bonnet/Yoke Nuts	ASTM A194-7

DRW Industrietechnik GmbH

Bodenschwinger Str. 125

D-44357 Dortmund

Telefon: +49 2 31 - 92 71 44-0

info@drw-armaturen.de

www.drw-armaturen.de

