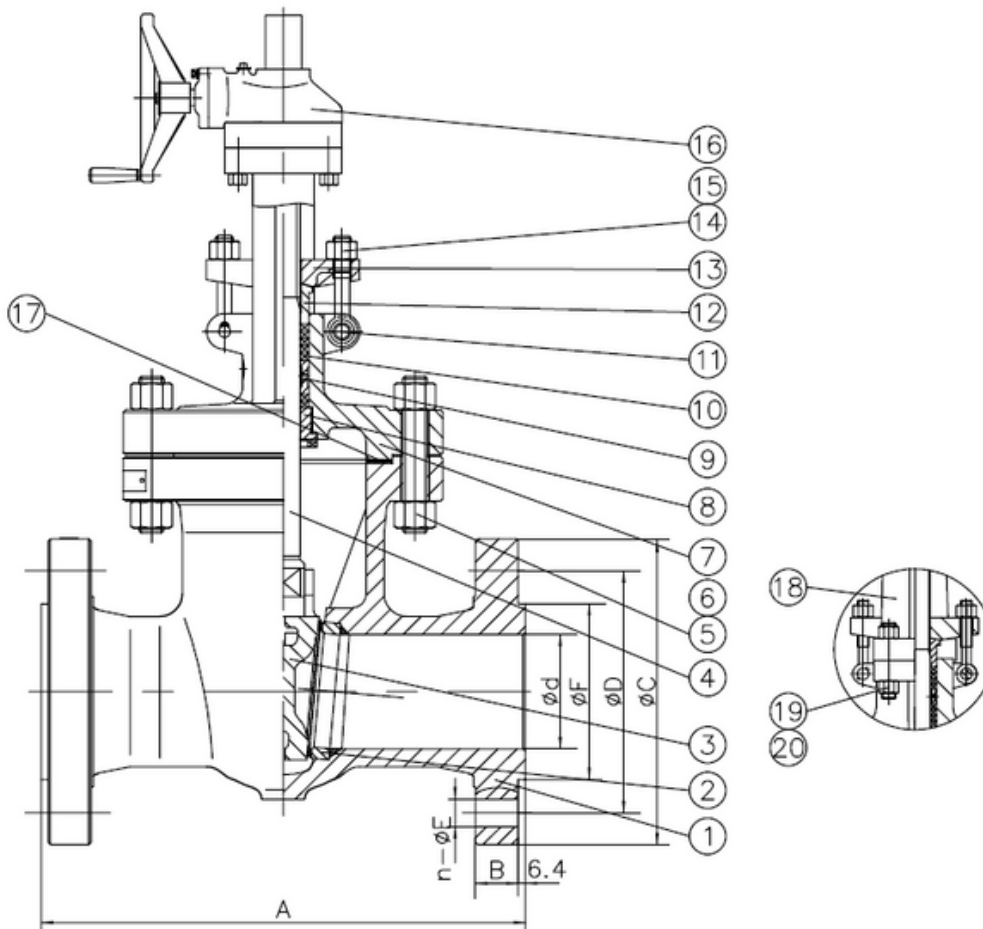


## TYPE: AAS1735

ANSI Absperrschieber 14" – 24" Class600

ANSI Gate Valve 14" – 24" Class600



### Technical Specification:

1. Design and machining acc. API600
2. Inspection and test acc. API598
3. Face to Face acc. B16.10
4. Dimension of connection end flange acc. B16.5 (RF)

### **DRW Industrietechnik GmbH**

Bodenschwinger Str. 125

D-44357 Dortmund

Telefon: +49 2 31 - 92 71 44-0

info@drw-armaturen.de

[www.drw-armaturen.de](http://www.drw-armaturen.de)



## Abmessungen / Dimensions:

SIZE	d	A	B	C	D	n	E	F
14"	326.9	889	70	605	527	20	38	413
16"	374.7	991	77	685	603	20	41	470
18"	419.1	1092	83	745	654	20	44	584
20"	463.6	1194	89	815	724	24	44	584
24"	558.8	1397	102	940	838	24	51	692

## Materialien / Materials:

No.	Part Name	Material
1	Body	ASTM A351-CF8
2	Seat Ring	ASTM A182 F304+STL
3	Gate	ASTM A351-CF8
4	Stem	ASTM A182-F304
5	Body/Bonnet Bolts	ASTM A193-B8
6	Body/Bonnet Nuts	ASTM A194-8
7	Bonnet	ASTM A351-CF8
8	Backseat Bushing	ASTM A276-304
9	Lantern Ring	ASTM A276-304
10	Packing	Graphite
11	Pin	ASTM A276-410
12	Packing Gland	ASTM A276-304
13	Gland Flange	ASTM A351-CF8
14	Packing Bolts	ASTM A193-B8
15	Packing Nuts	ASTM A194-8
16	Bevel Gear	Parts
17	Bonnet Gasket	SS304+Graphite
18	Yoke	ASTM A351-CF8
19	Bonnet/Yoke Bolts	ASTM A193-B8
20	Nonnet/Yoke Nuts	ASTM A194-8

### **DRW Industrietechnik GmbH**

Bodenschwinger Str. 125

D-44357 Dortmund

Telefon: +49 2 31 - 92 71 44-0

info@drw-armaturen.de

[www.drw-armaturen.de](http://www.drw-armaturen.de)

